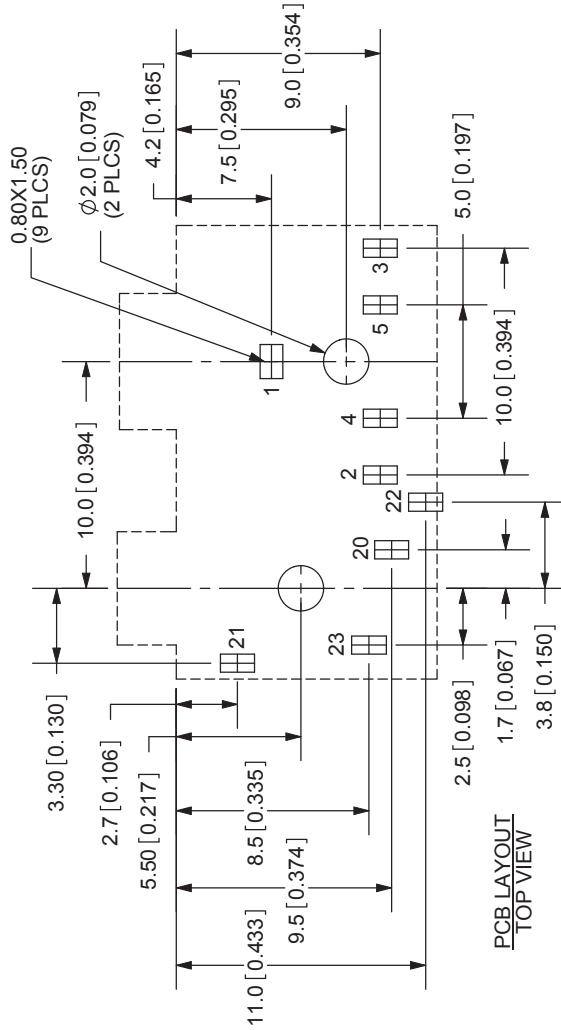
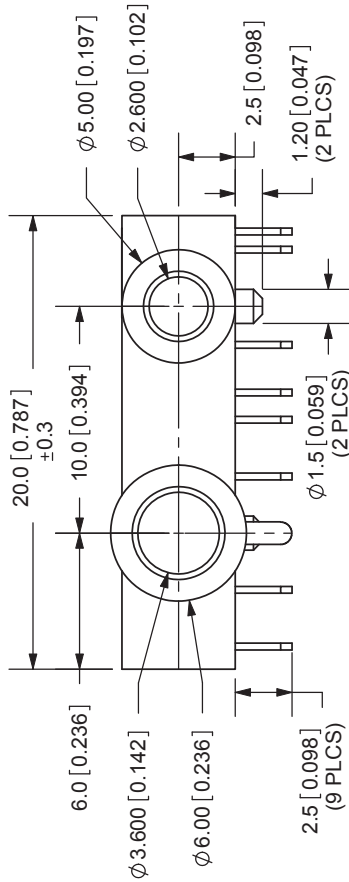
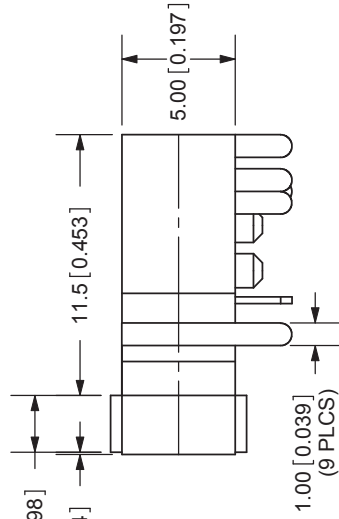
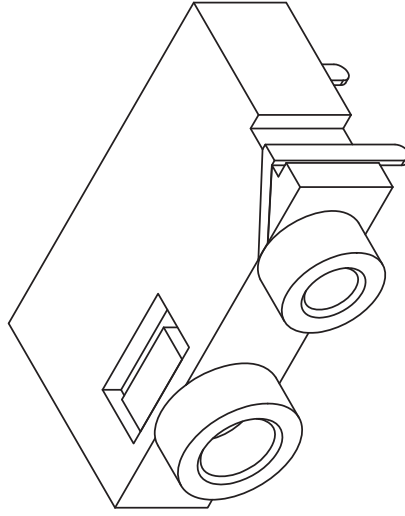


REV.	DESCRIPTION	DATE
A	NEW DRAWING	8/7/2007
B	updated pin numbering	1/15/2008



**SPECIFICATIONS:**  
 RATING: 12V DC @ 1A  
 CONTACT RESISTANCE: 50m OHMS MAX  
 INSULATION RESISTANCE: 100M OHMS MIN: 500V DC  
 VOLTAGE WITHSTAND: 500V AC R.M.S. FOR 1 MINUTE  
 LIFE: 5,000 CYCLES  
 OPERATING TEMP: -25 ~ +85C

TOLERANCE:  
 XX ±0.2mm  
 X.XX ±0.1mm  
 X.XXX ±0.05mm



20050 SW 112th Ave.  
 Tualatin, OR 97062  
 Phone: 503-612-2300  
 800-275-4899  
 Fax: 503-612-2383  
 Website: www.cui.com

TITLE: 3.5/2.5mm COMBO JACK, PCB MOUNT REV: B

PART NO: SJD1-3201-54 UNITS: MM [INCHES]

DRAWN BY: ZRJ APPROVED BY: SCALE: 3:1

TERMINAL	MATERIAL	PLATING
TERMINAL 1	Copper Alloy	Tin
TERMINAL 2	Copper Alloy	Tin
TERMINAL 3	Copper Alloy	Tin
TERMINAL 4	Brass	Tin
TERMINAL 5	Brass	Tin
TERMINAL 20	Brass	Tin
TERMINAL 21	Copper Alloy	Tin
TERMINAL 22	Copper Alloy	Tin
TERMINAL 23	Copper Alloy	Tin
BUSHING	Brass	Nickel
HOUSING	PBT	

MODEL NO. SJD1-3201-54

SCHEMATIC

PC FILE NAME: SJD1-3201-54

COPYRIGHT 2008 BY CUI INC.